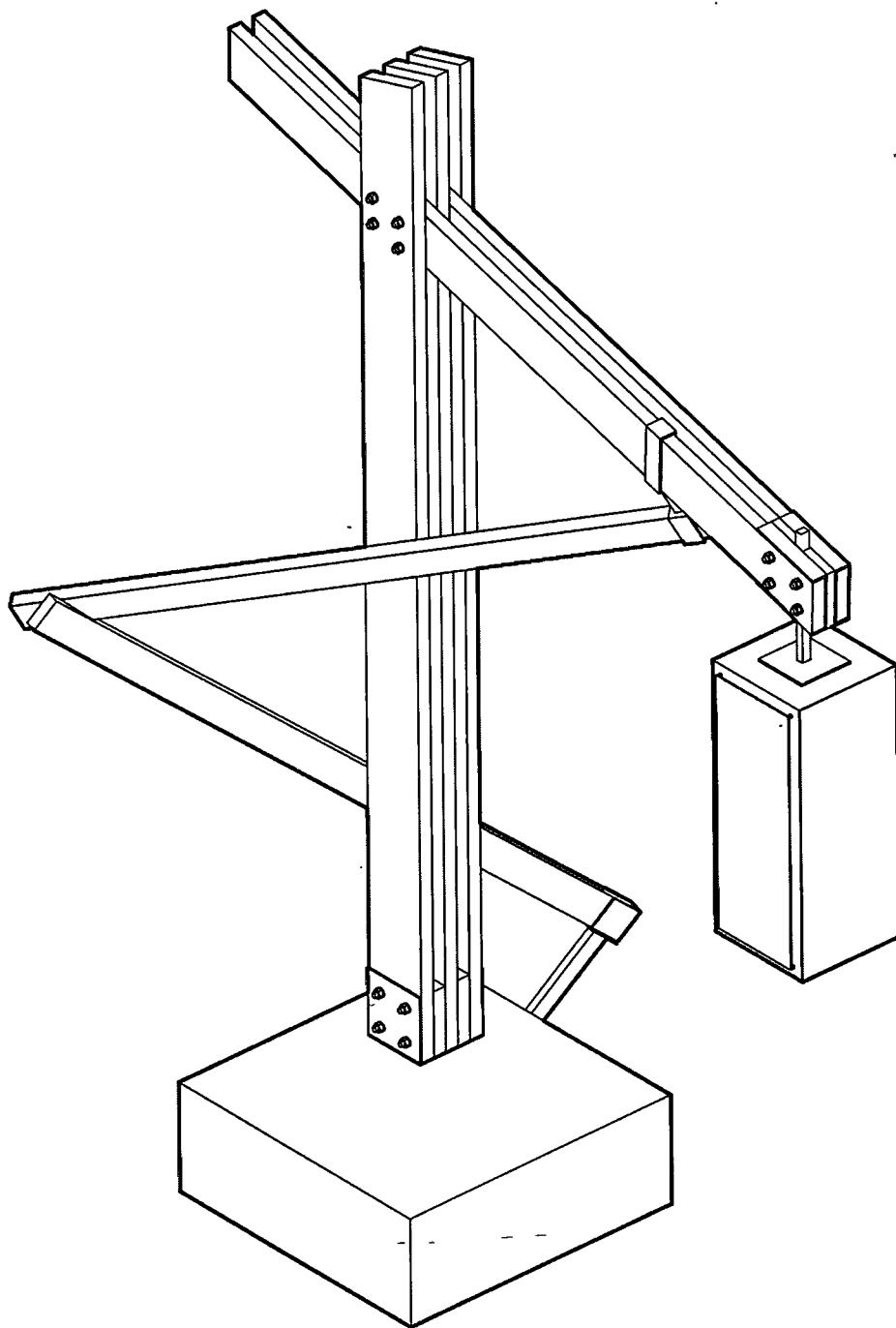


LITTLE LIBRARIES

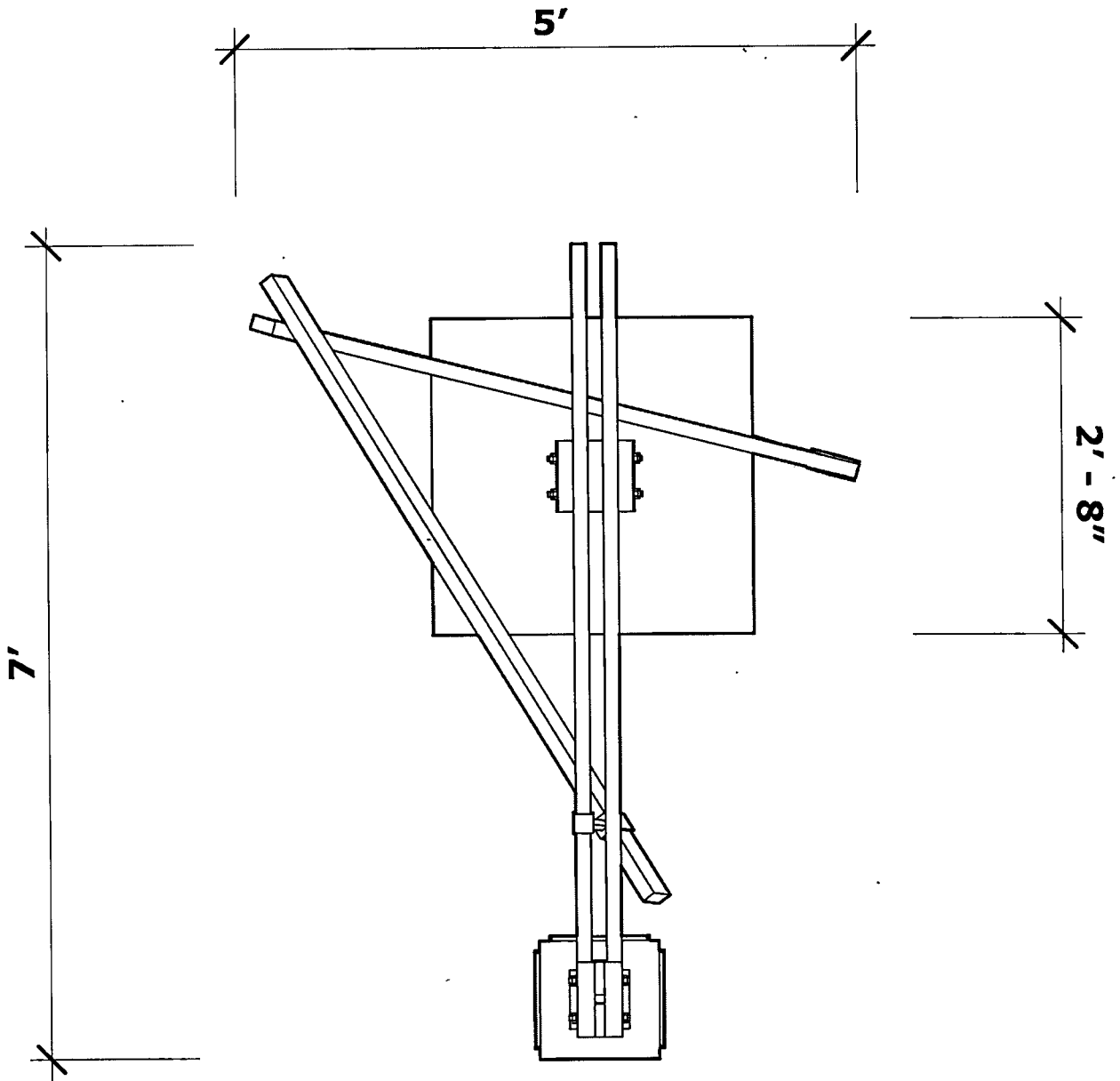




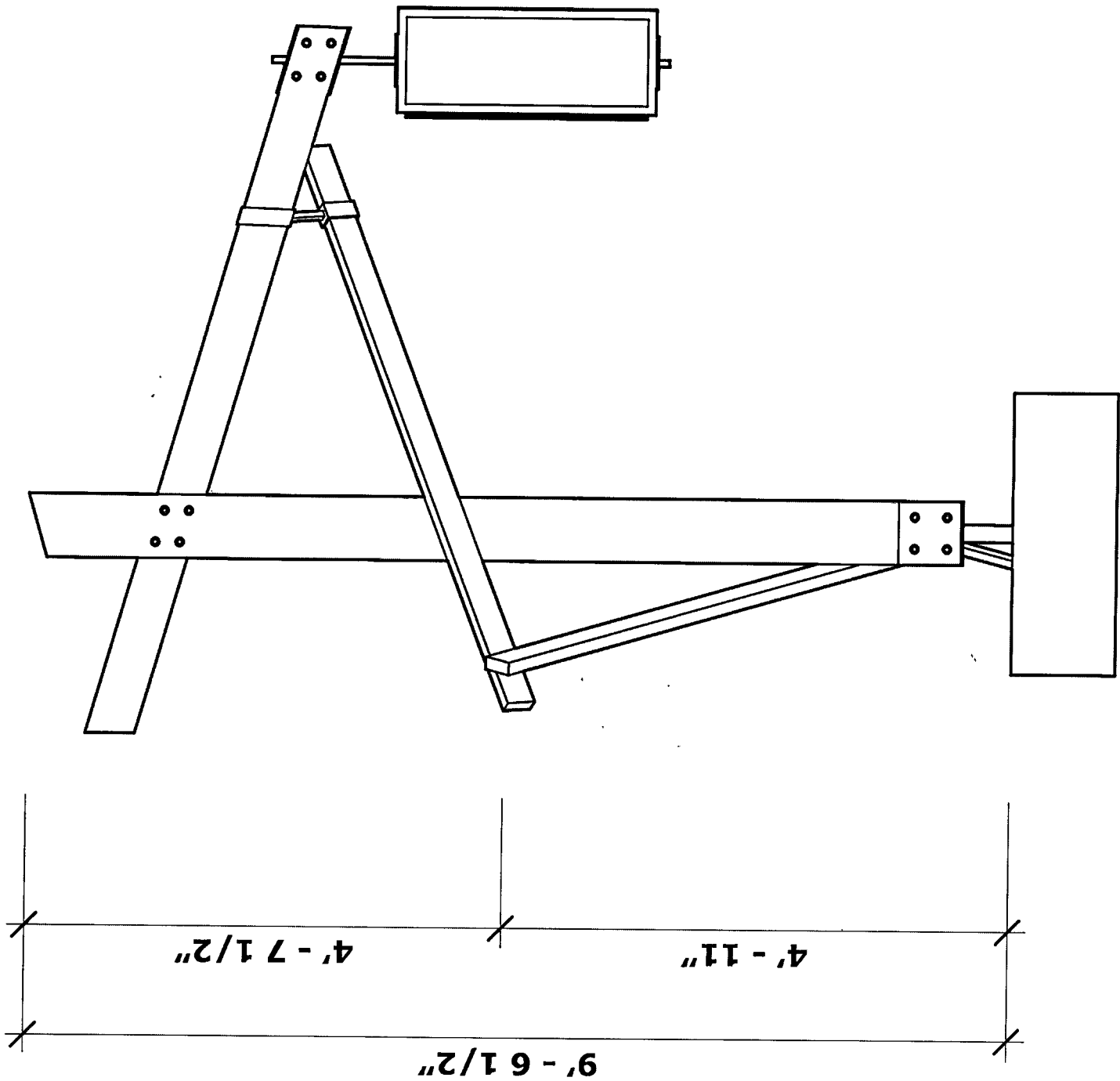
Freedom by Design, the AIAS community service program in partnership with NCARB, uses the talents of architecture students to radically impact the lives of people in their community through modest design and construction solutions. The program embraces efforts to provide both design-build and engagement solutions to address 5 barriers: physical, educational, environmental, cultural, and socio-economic.

Thanks to the help of the University of North Carolina at Charlotte, the Atkins Library Board and others, we are able to begin the Little Libraries Project. These hanging birdbox sculptures will not only be a fully functional mini-library, but will also act as a way-finder and unique destination spot for any location. Each library will be fabricated and installed by UNCC SoA students with the help of the Storrs Fabrication Lab. This particular design seeks to give an elegant and unique presence to the landscape of UNC Charlotte and Center City Building all while creating an exciting place for students, faculty, and prospective niners to gather.

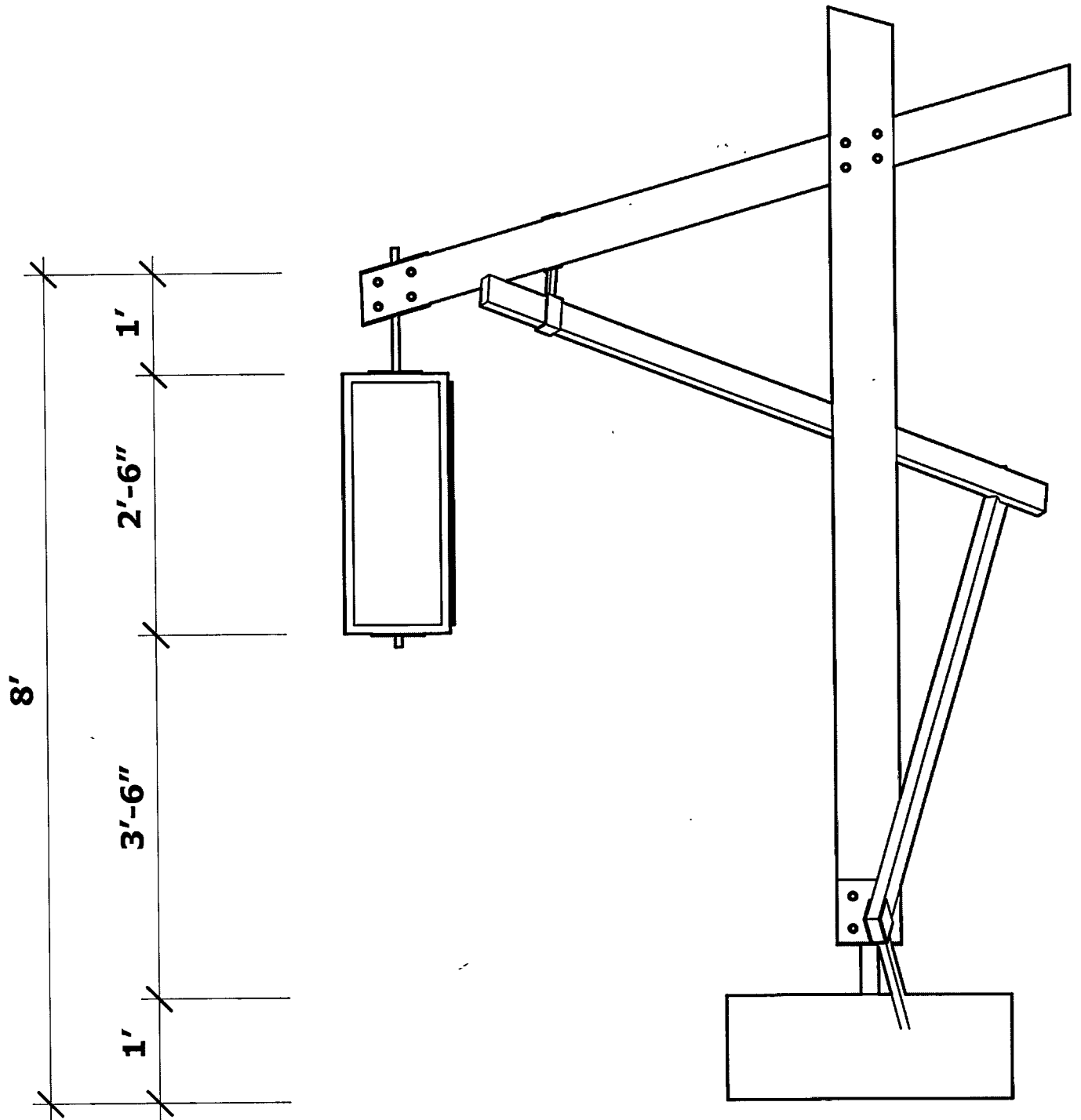
PLAN



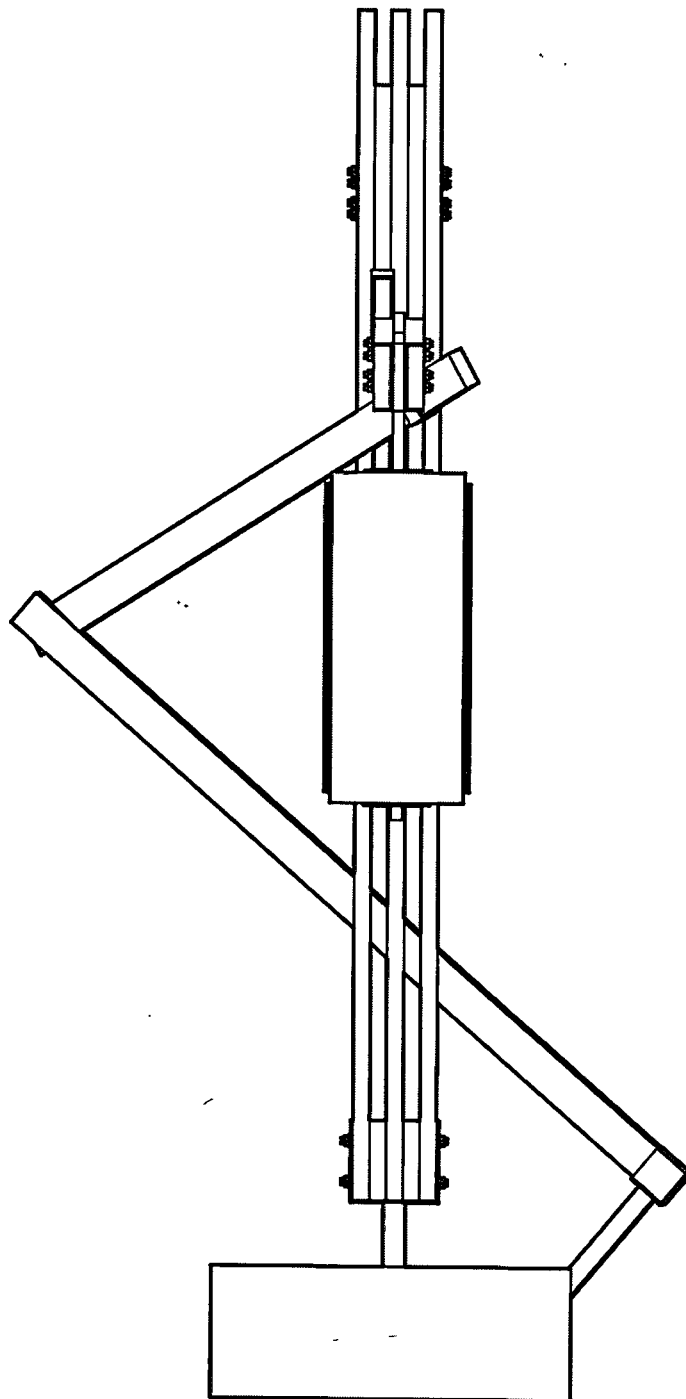
ELEVATION 1



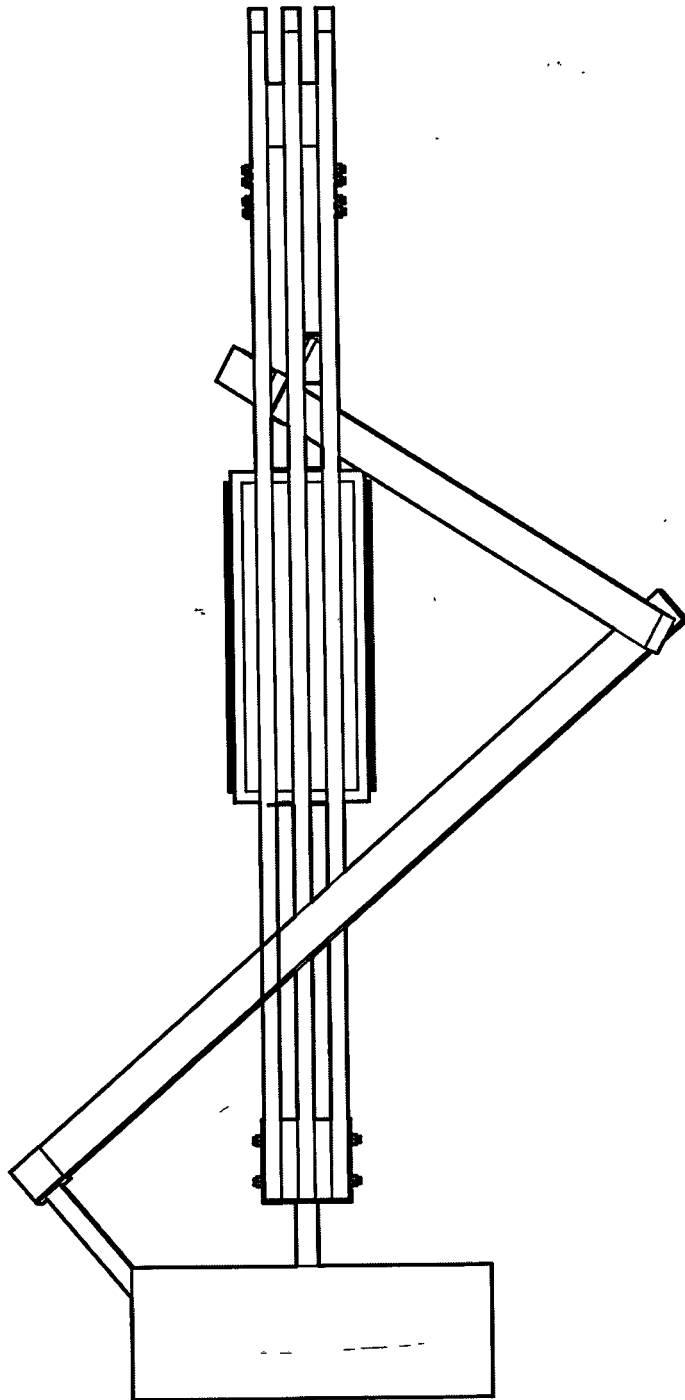
ELEVATION 2



FRONT ELEVATION



BACK ELEVATION



MATERIALS



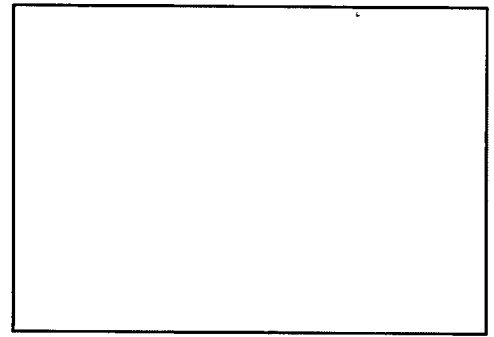
2' x 8' - 8'-10" length (x3)



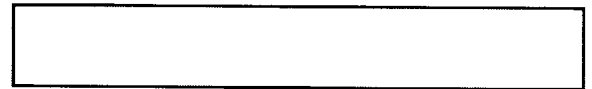
2' x 6' - 7' length (x2)



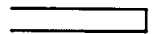
2' x 4' - 6'-6" length (x2)



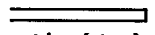
Sheet of treated plywood (x1)



7-1/4" x 1/4" thick plate steel - 4' length (x1)



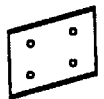
2" tube steel - 2' length (1x)



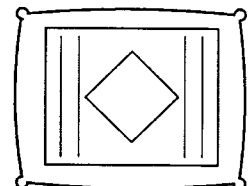
1" tube steel - 5' length (1x)



1/2" threaded rod/bolts - 10" length (6x)

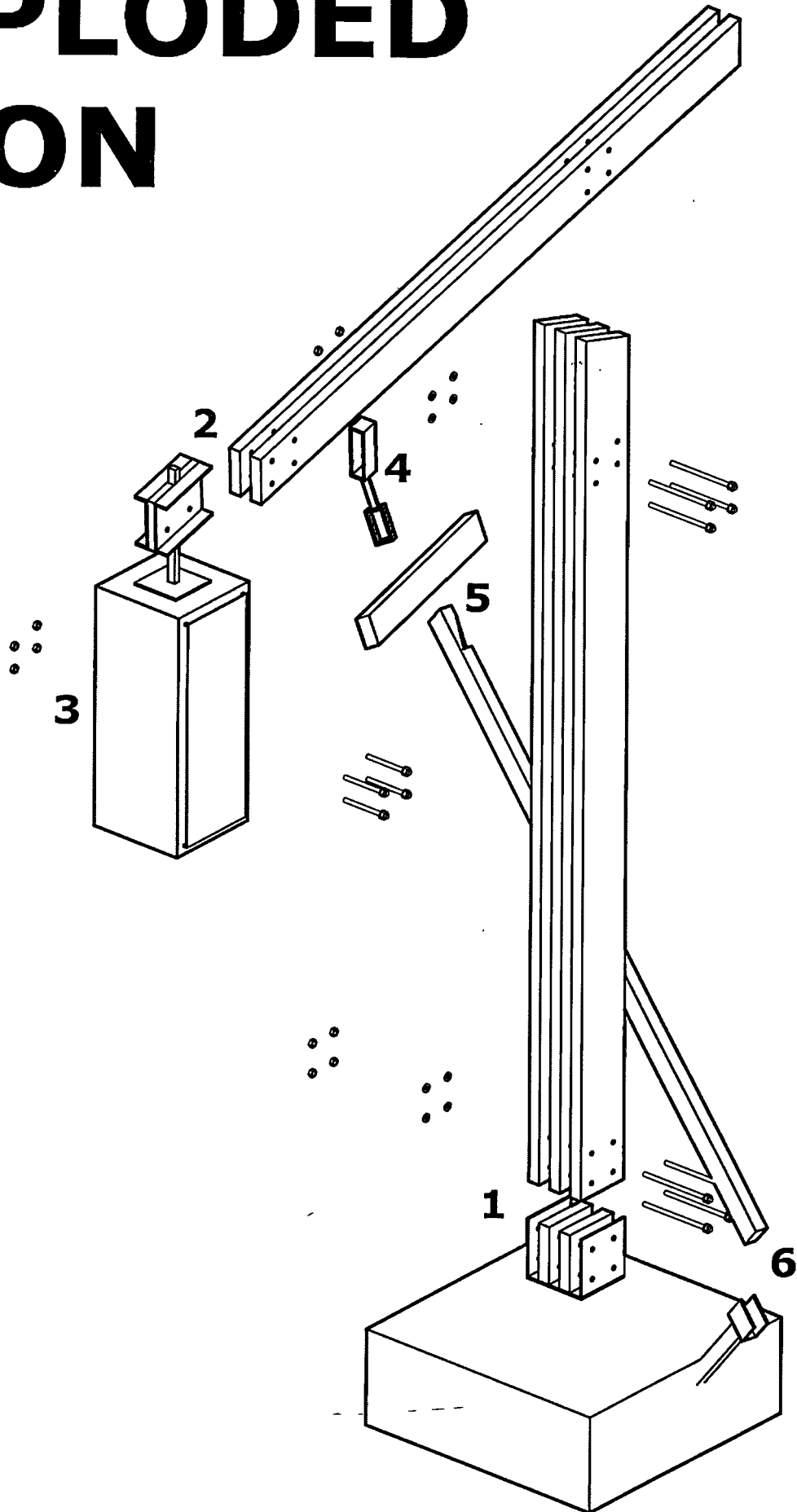


6-1/4" wide c-channels - 8" length (2x)

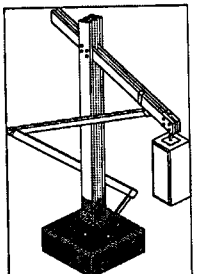
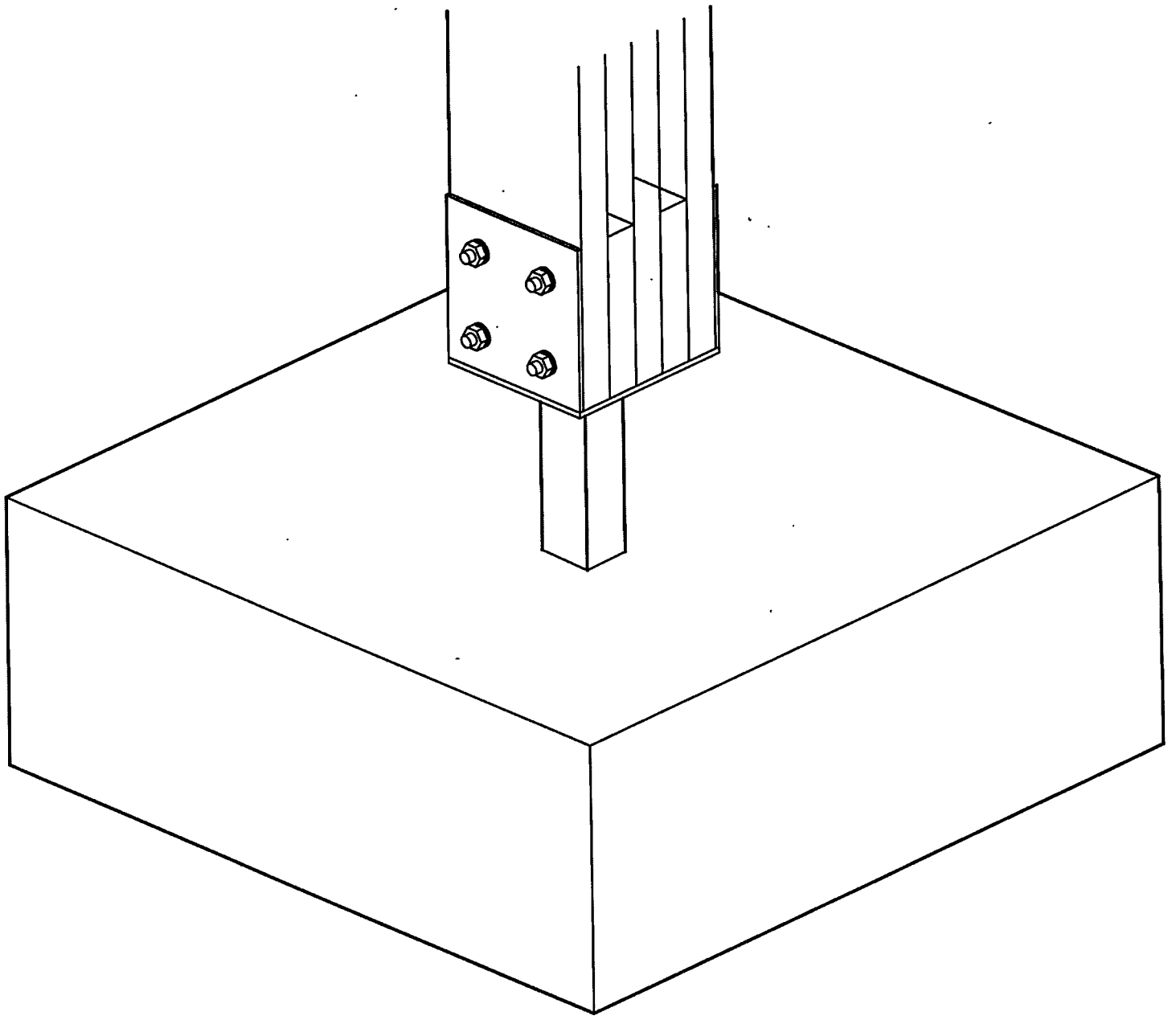


50 lb. bag Sakrete (4-6x (site specific))

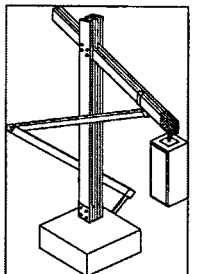
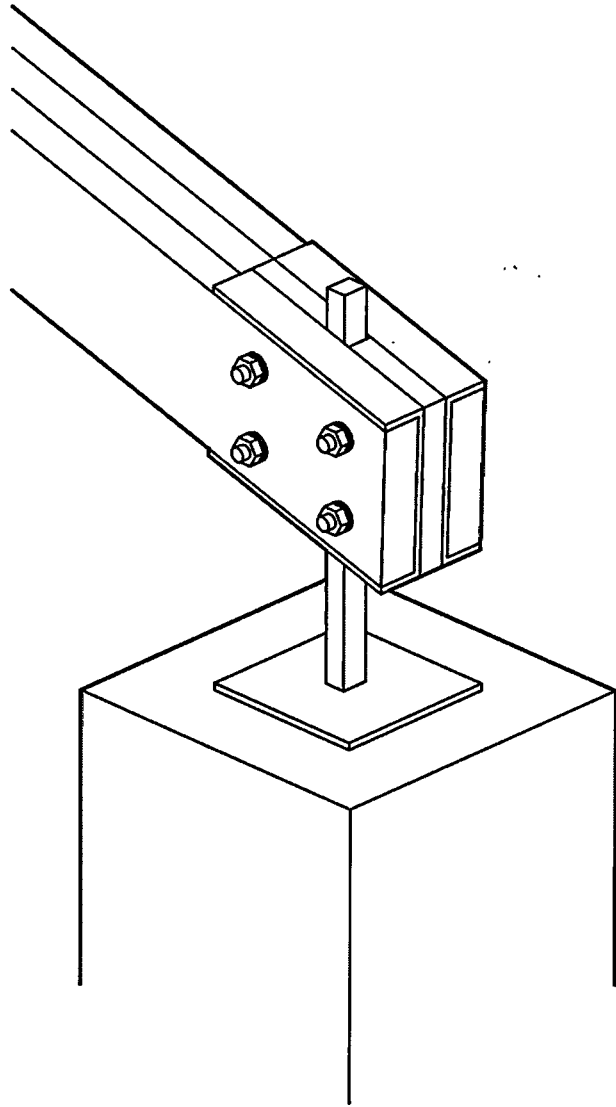
EXPLODED AXON



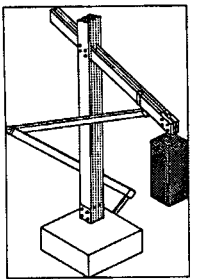
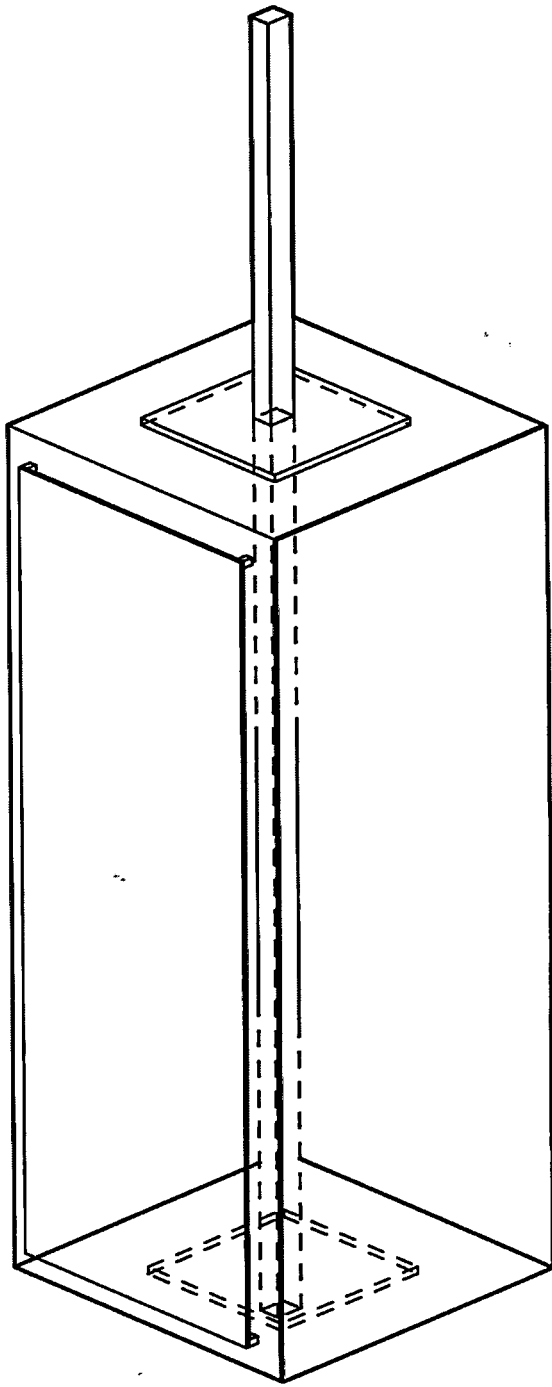
1



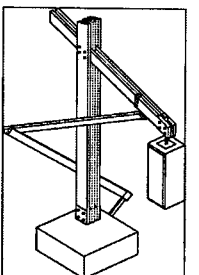
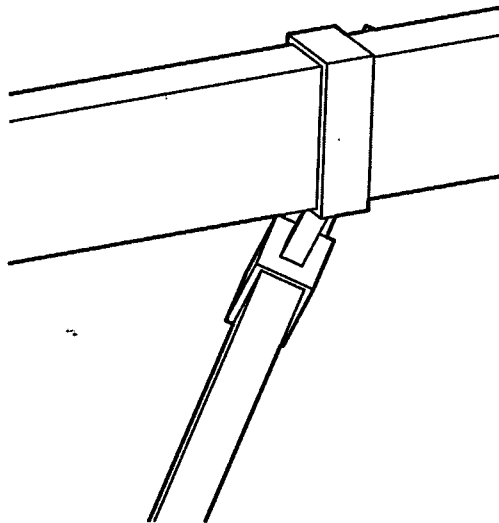
2

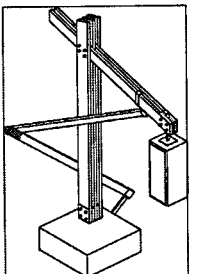
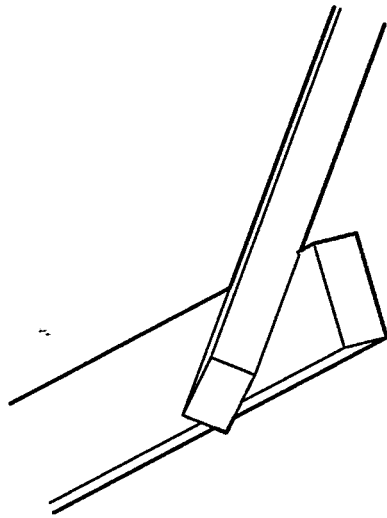


3

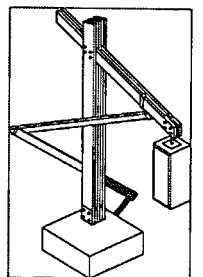
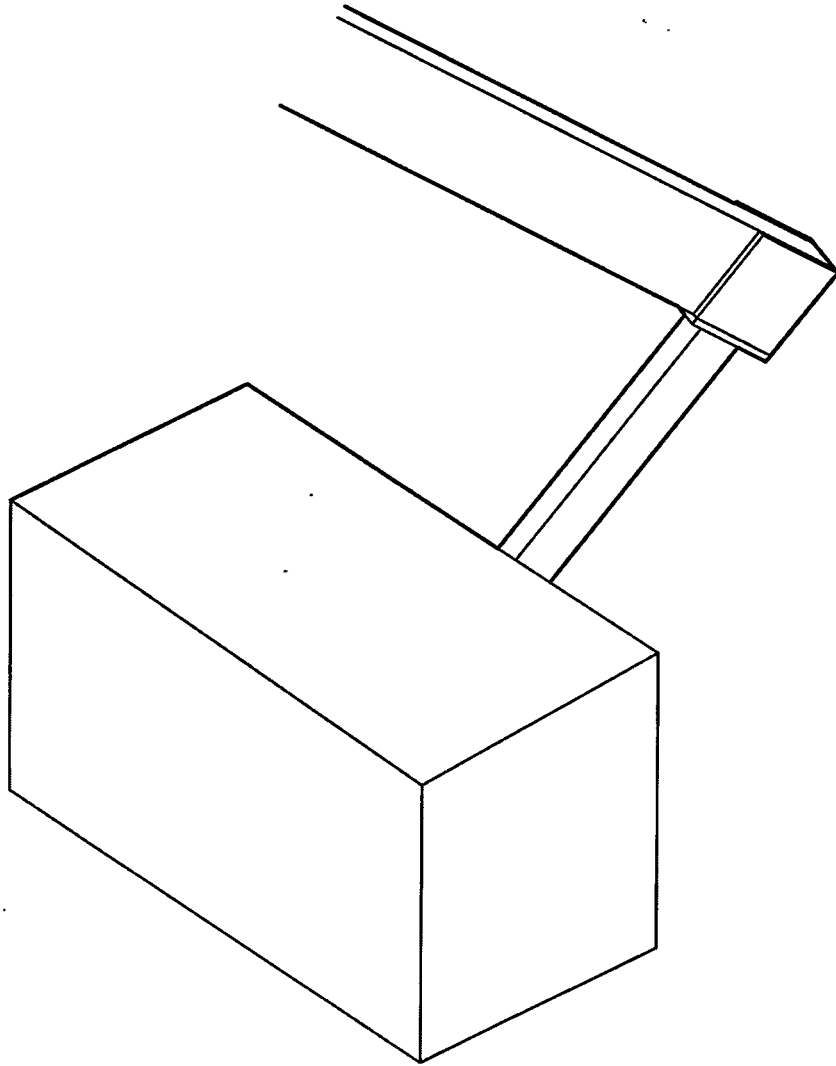


4





6



Name	Quantity	Individual Price	Total
2x8 -10' in length	3	\$10.27	\$30.81
2x6 -8' in length	2	\$5.88	\$11.76
2x4 -8' in length	2	\$3.37	\$6.74
23/32 Pressure Treated Plywood	1	\$31.47	\$31.47
80lb Bag Sakrete	4	\$4.40	\$17.60
7-1/4"x1/4" Steel Plate- 4'	1	\$63.08	\$63.08
10" Threaded Bolts (Pack of 10)	2	\$25.02	\$50.04
2" Tube Steel	1	\$13.08	\$13.08
1" Tube Steel - 5' in Length	1	\$16.76	\$16.76
6-1/4" wide C-channels- 16" long	1	\$36.84	\$36.84
Silicone Caulk	1	\$8.88	\$8.88
Wood Stain	1	\$16.96	\$16.96
Box of Nails (100)	1	\$21.46	\$21.46
			\$325.48
Locker(red)	2	\$57.95	\$115.90
80lb Bag Sakrete	3	\$4.40	\$13.20
Locker Latch	1	\$4.87	\$4.87
			\$133.97